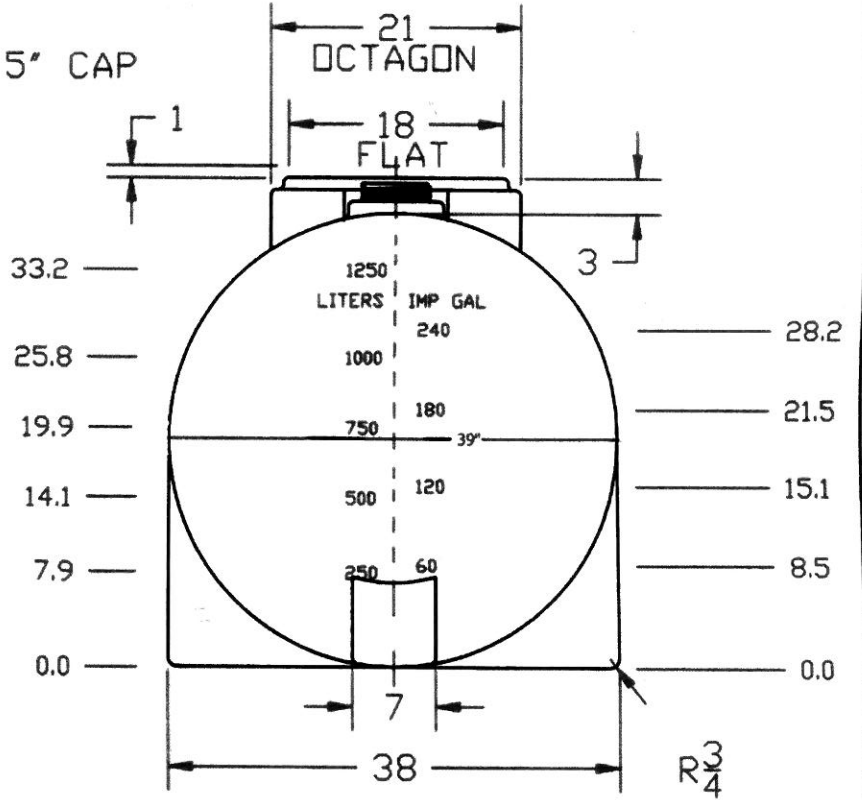
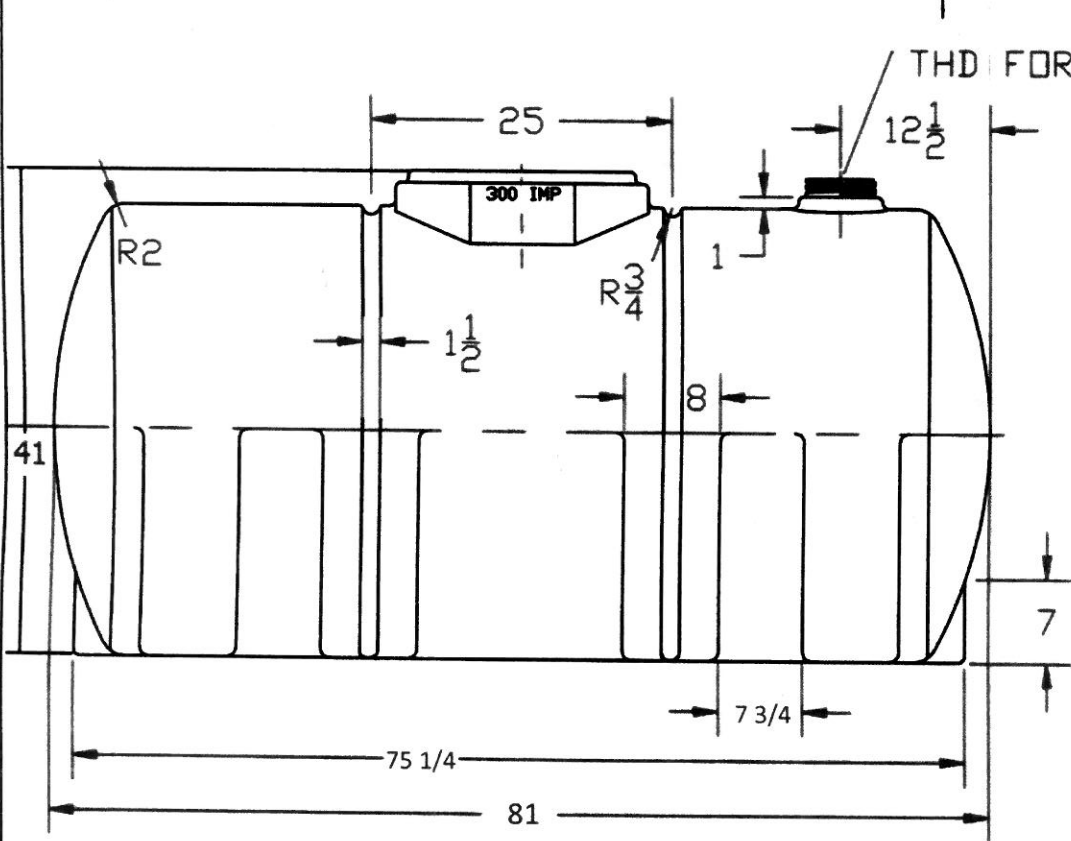


REVISIONS				
ZONE	REV	DESCRIPTION	DATE	APPROVED



JTP 13FEB02		 NORWESCO ST. BONIFACIUS, MN		
		300 IMPERIAL GALLON HORIZONTAL LEG TANK		
SIZE	FSCM NO.	DWG NO.	REV	
A		41430		
SCALE 1/16			SHEET	